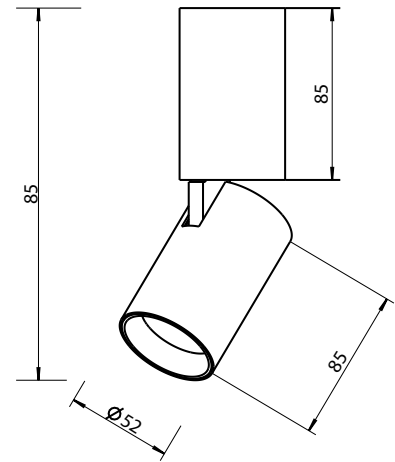


ANDRO XS

surface adjustable



TECHNICAL DETAILS

Light source	Tridonic LED
Colour temp	2700K/3000K/4000K
Mounting	Adjustable Surface Mounted
Ballast	Integral
Dimensions	Ø52mmx184mm
Voltage	240V
Tilt and rotate angle	355° Rotation°, 90° Tilt
Power	10W
CRI	CRI90
Lumen output	850lm
Beam angle	20°/31°/42°/53°
Accessories	Honeycomb Louvre
Mean lifespan	50,000hrs
Dimming options	1-10V, Triac, DALI (remote)
Driver/control manufacturer	HEP
Trim colour	Black, White
System efficacy	>80lm/W
Light output ratio	85%
Forward Current	200mA
IP Rating	IP20/IP54