

INSTALLATION GUIDE

Everything you wanted to know but were too afraid to ask

andro.

think. again.

FIXED SURFACE MOUNTED



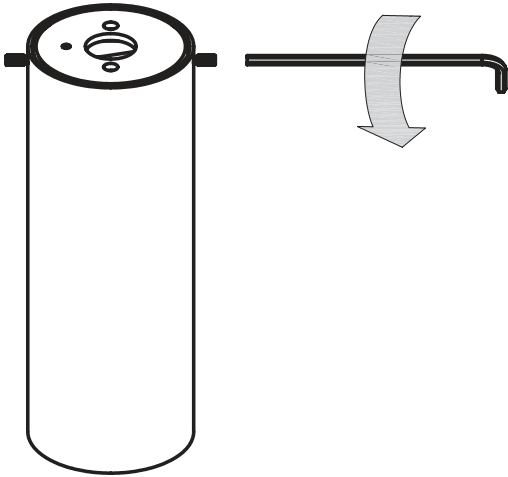
WHOA, HOLD IT!

- 1 Hit the off switch on any power before install.
- 2 Install must only be carried out by someone suitable qualified.
- 3 Only use the product at the specified voltage and frequency.
- 4 There's no four.



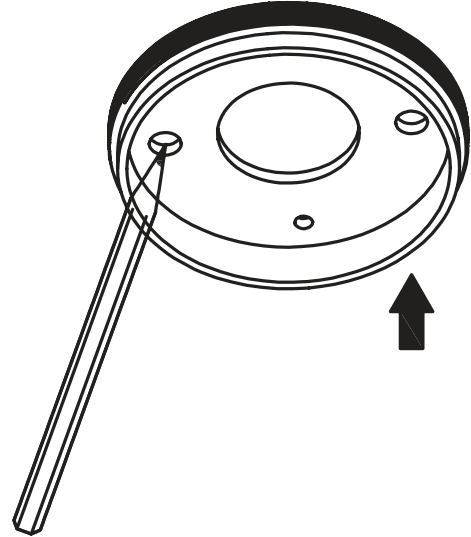
1

Use supplied allen key to undo screws on the sides of the fitting.



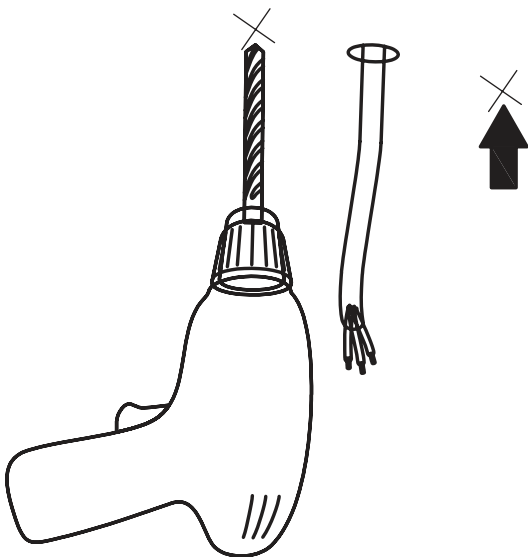
2

Place the ceiling plate on the ceiling and mark location of holes.



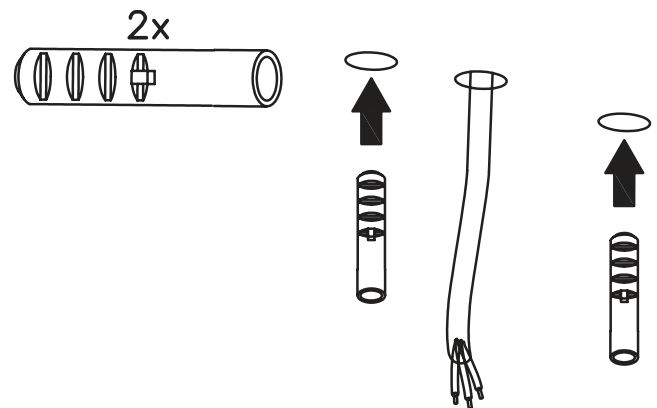
3

Drill 2 x M4 holes in the ceiling at the marked locations.



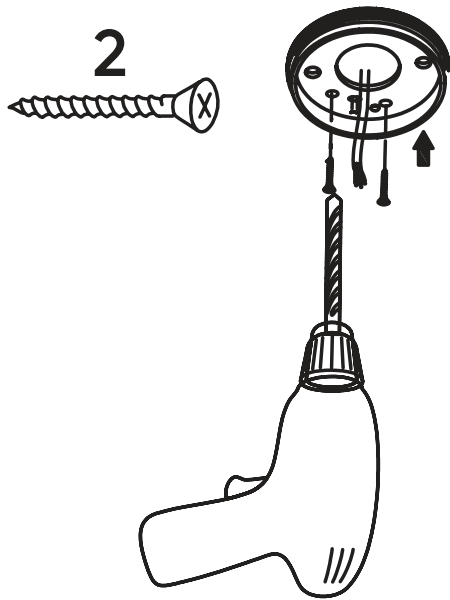
4

Insert the plastic screw plugs into these holes.



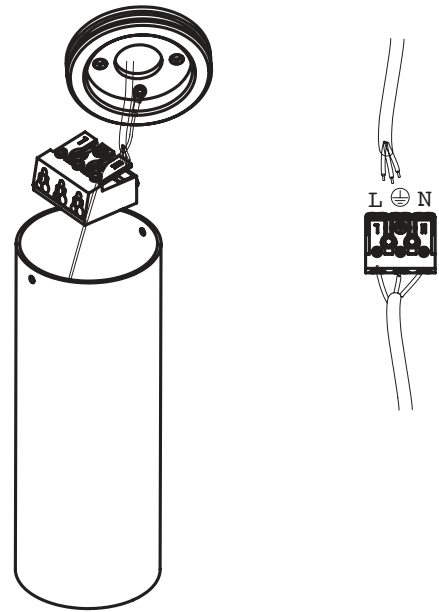
5

Fix the ceiling plate using 2x M4 screws.



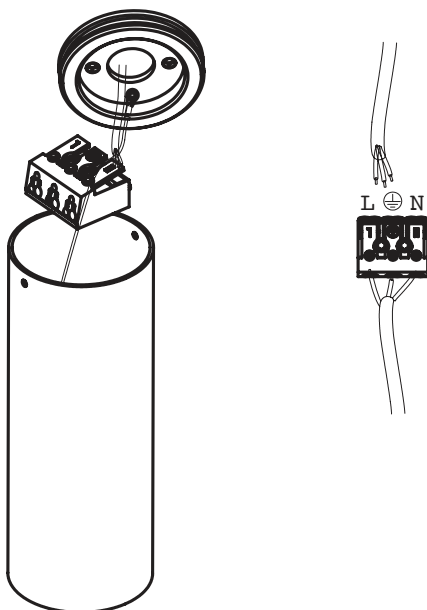
6 IP20

Connect primary wire to terminal block sitting inside of the fitting.



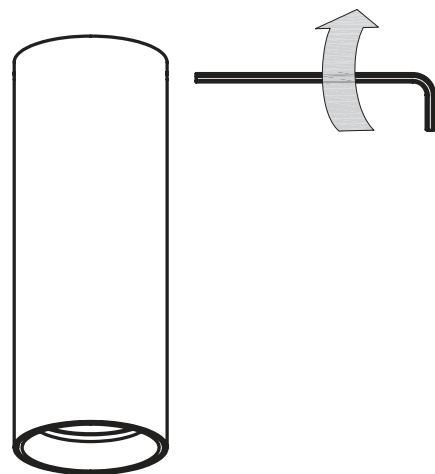
6 IP65

Take out the loose terminal block placed inside the cylinder and connect primary wire to it inside the ceiling. Do not make the wire connection inside the fitting as it will be prone to water damage.



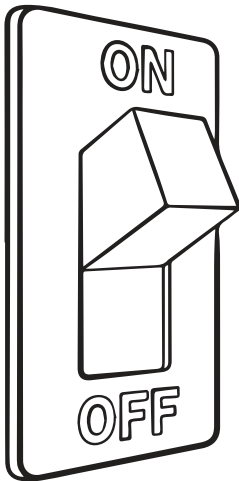
7

Fix the fitting onto the ceiling plate with allen screws.



8

Turn ON power supply to complete installation.



9

Now repurpose your **andro** packaging to plant some seedlings.

