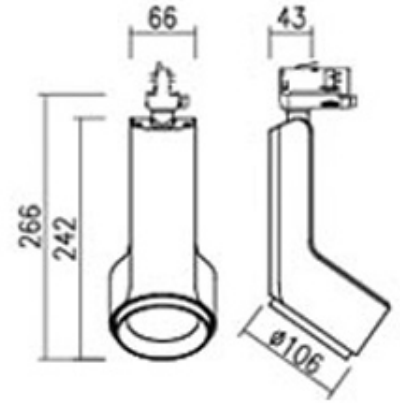


UNICO

track spot



TECHNICAL DETAILS

Light source	COB LED
Colour temp	4 000/3 000 K
Mounting	Track
Driver	Integral
Dimensions	H 242 W 66
Voltage	240 V
Tilt and rotate angle	360 × 90°
Beam angle	20–22°/33–35°/52–54°
Mean lifespan	+40 000 hrs
Trim colour	White/Black/Silver
System efficacy	100–122 lms/w
Power	16W/28W
CRI	80
Lumen Output	2 000/3 000 lm