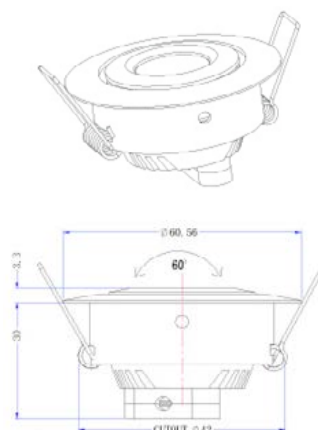


# JEWELL

led cabinet light



## TECHNICAL DETAILS

Light source	<b>LED COB</b>
Colour temp	<b>2 800-6 500 K</b>
Mounting	<b>Recessed</b>
Ballast	<b>Remote</b>
Dimensions	<b>Ø 60.5 mm</b> <b>H 33.3 mm</b>
Current	<b>350 mA/700 mA</b>
Tilt and rotate angle	<b>Tilt 15°</b>
Power	<b>3 W</b>
CRI	<b>75+</b>
Lumen output	<b>Up to 120 lm</b>
Beam angle	<b>45°</b>
Cut out	<b>42 mm</b>
Mean lifespan	<b>50 000 hrs @ 45°</b>
Dimming options	<b>Phase cut, 1-10V, DSI, Dali, Switch dim</b>
Driver/Control manufacturer	<b>Tridonic/Osram</b>
Trim colour	<b>Silver</b>
System efficacy	<b>Upon request</b>
Light output ratio	<b>Upon request</b>



[ambienclighting.com.au](http://ambienclighting.com.au)

ambience

MAKING LIGHT WORK