

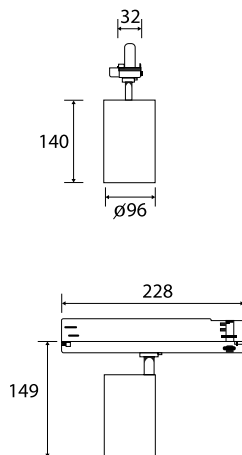
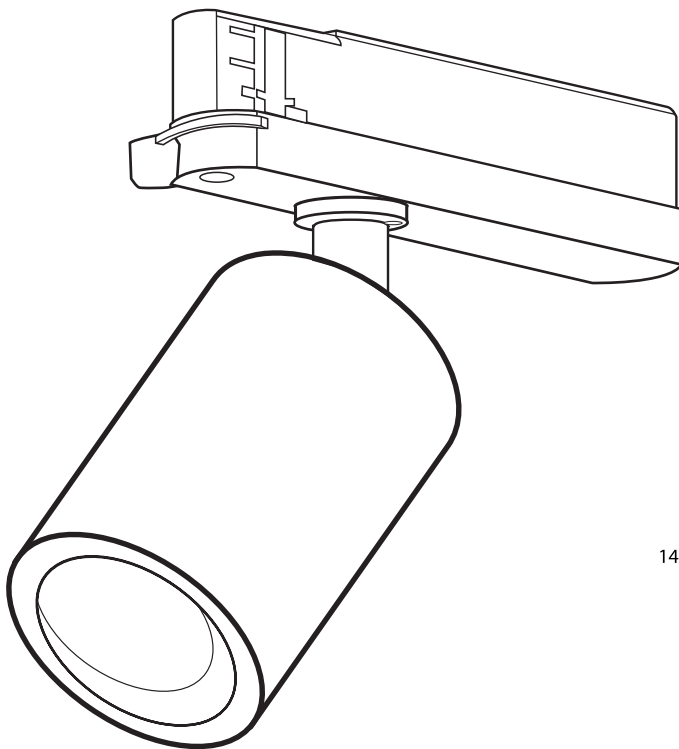
INSTALLATION GUIDE

Everything you wanted to know but were too afraid to ask

ROLL

Maximum Minimalism

LARGE TRACK MOUNTED



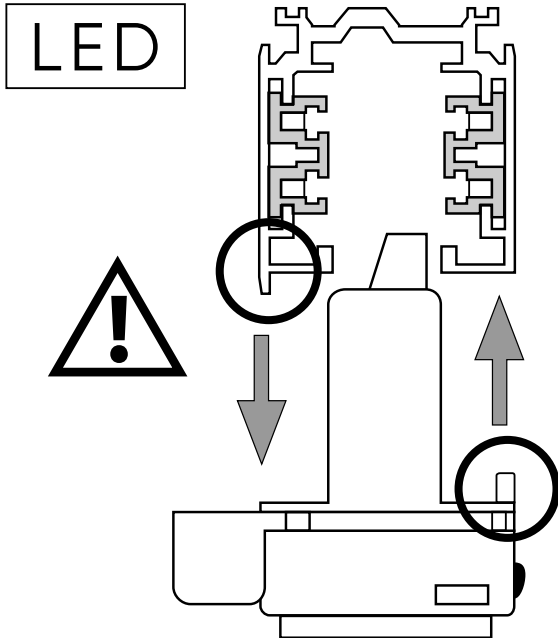
WHOA, HOLD IT!

- 1 Hit the off switch on any power before install.
- 2 Install must only be carried out by someone suitably qualified.
- 3 Only use the product at the specified voltage and frequency.
- 4 There's no four.



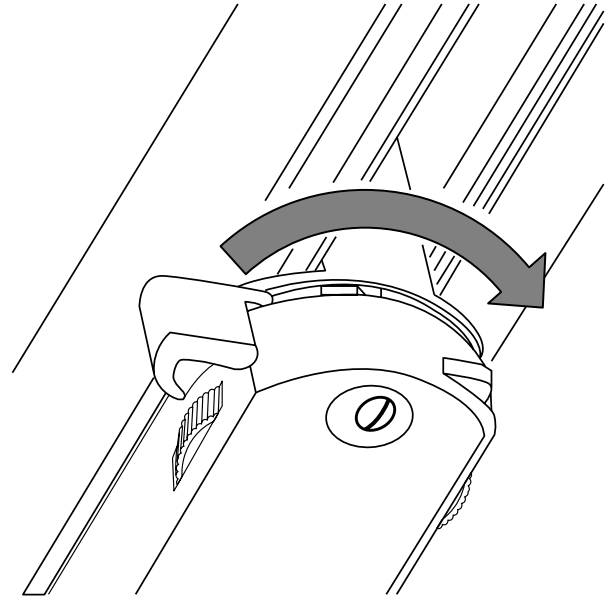
1

Carefully insert the track adaptor into the track.



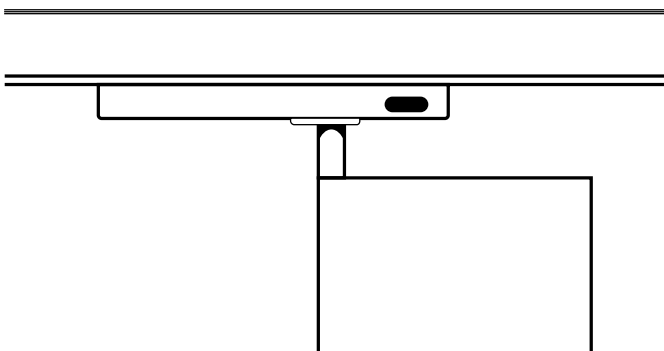
2

Rotate the latch on the adaptor such that it locks into the track.



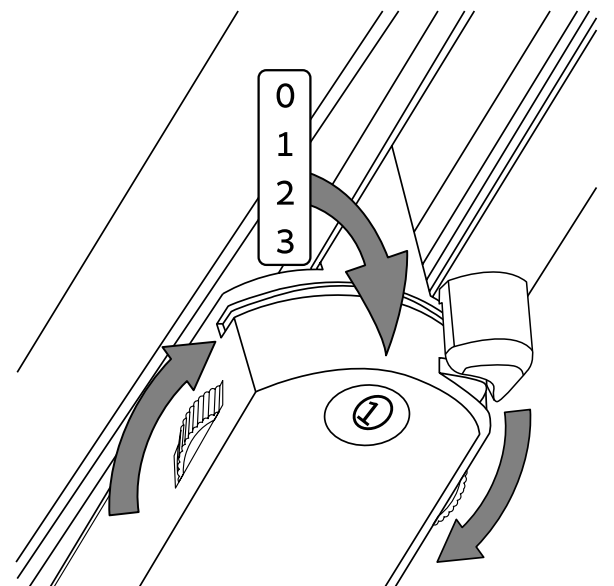
3

Make sure that the fitting is secured in position.



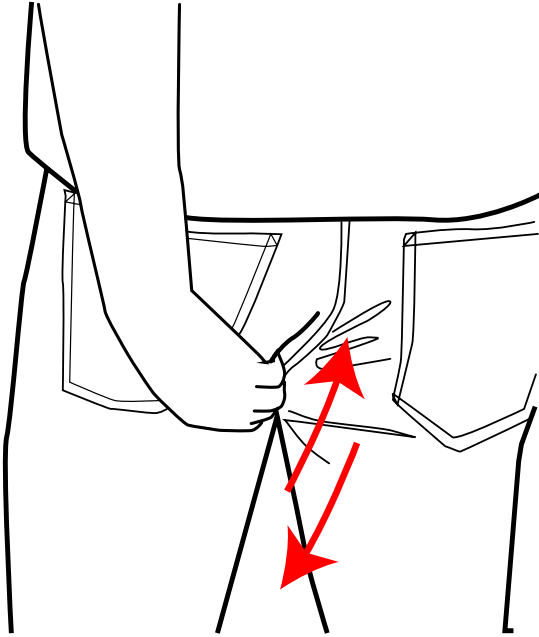
4

Switch the adaptor to the correct circuit number in order to turn it ON and switch it back to 0 to turn it OFF.



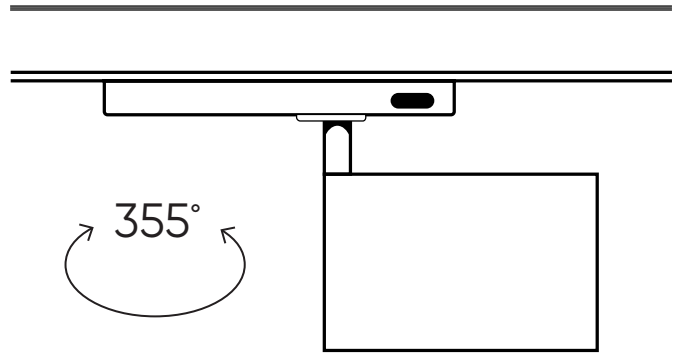
5

Adjust your pants if they are clinging or feeling uncomfortable.



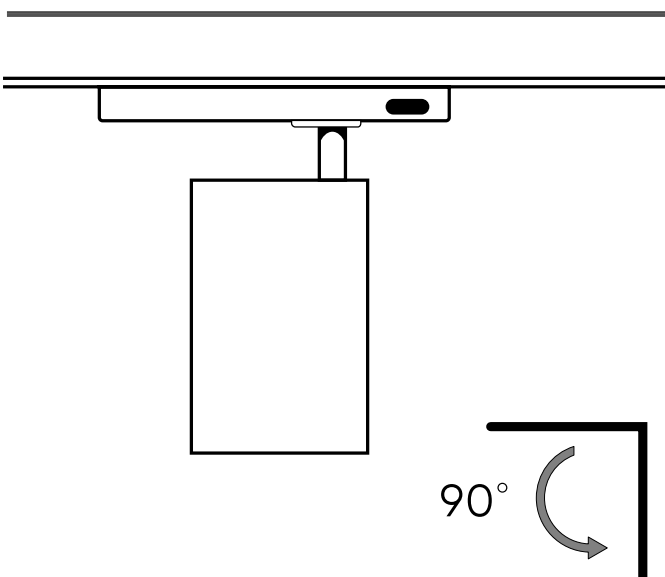
6

Adjust the fitting to achieve the desired angle.



7

Adjust the fitting to achieve the desired angle.



8

Find someone to celebrate with.

