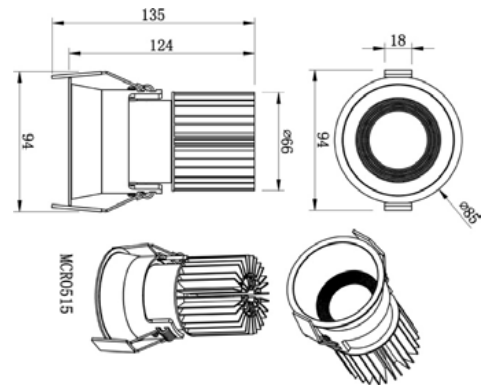


KIT MINI

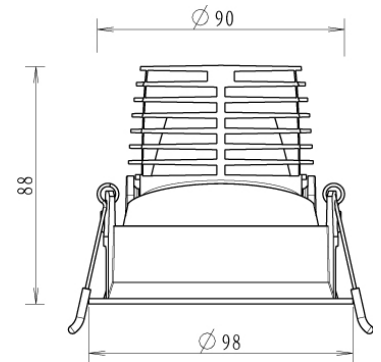
led downlight



V1



V2



TECHNICAL DETAILS

Light source	LED COB
Colour temp	2 700/3 000/4 000 K
Mounting	Recessed
Ballast	Remote
Dimensions	Trim : 85/98ø mm
Current	180/250/350/500 mA
Tilt & rotate angle	Tilt 15°
Power	7/10/14/20 W
CRI	>90
Lumen output	Up to 2 040 lm
Beam angle	15°, 24°, 36°, 60°
Cut out	78/90 mm
Dimming options	Phase Cut, 1-10v, DSI, DALI, switch-dim
Driver/Control manufacturer	Tridonic/
Trim colour	Black/White
System efficacy	85.5 lm/w
Light output ratio	Upon request
IP Rating	IP44