

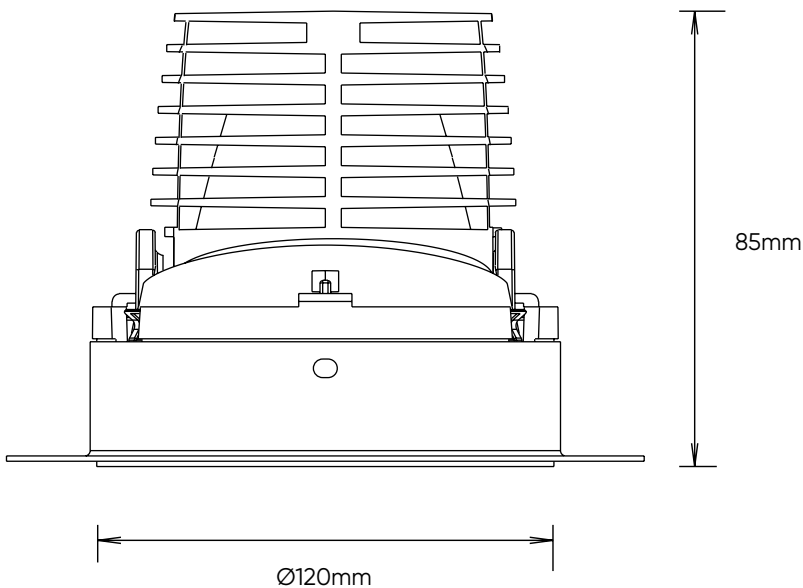
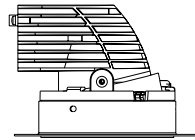
INSTALLATION GUIDE

Everything you wanted to know but were too afraid to ask

Kit

Your go-to downlight

KIT MINI TRIMLESS



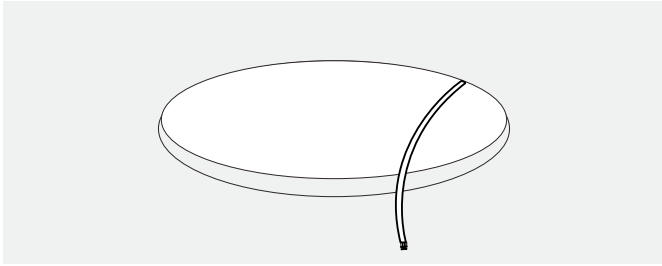
WHOA, HOLD IT!

- 1 Hit the off switch on any power before install.
- 2 Install must only be carried out by someone suitable qualified.
- 3 Only use the product at the specified voltage and frequency.
- 4 There's no four.



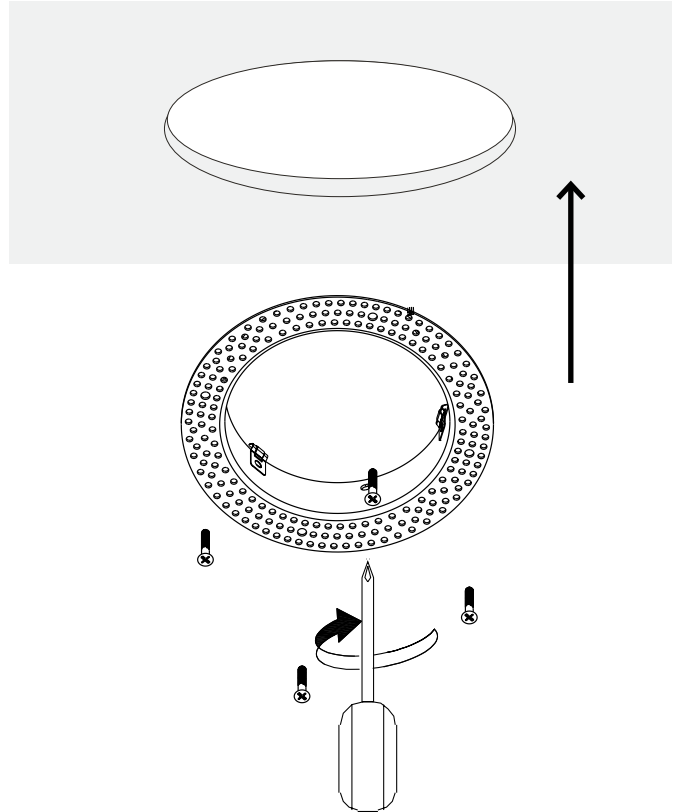
1

Make a hole, \varnothing 90mm at false ceiling.



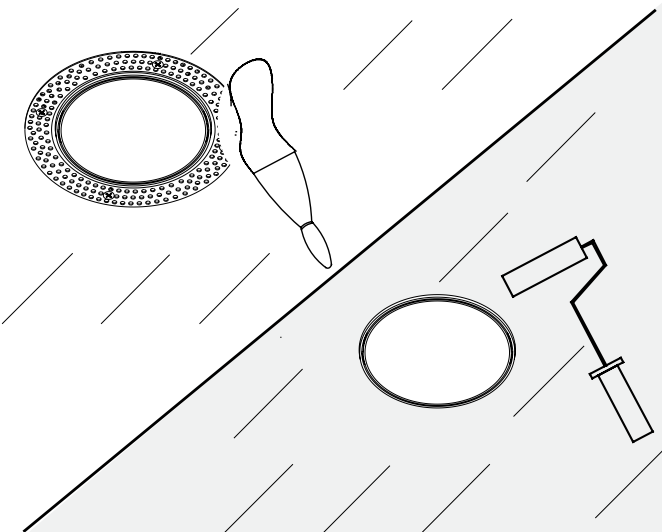
2

Fix the trimless frame on the ceiling using a screw driver.



3

Plaster onto the trimless frame to obtain a neat cut out.



4

Push the housing onto the frame and make sure its locked properly. Adjust the fitting as required.

