

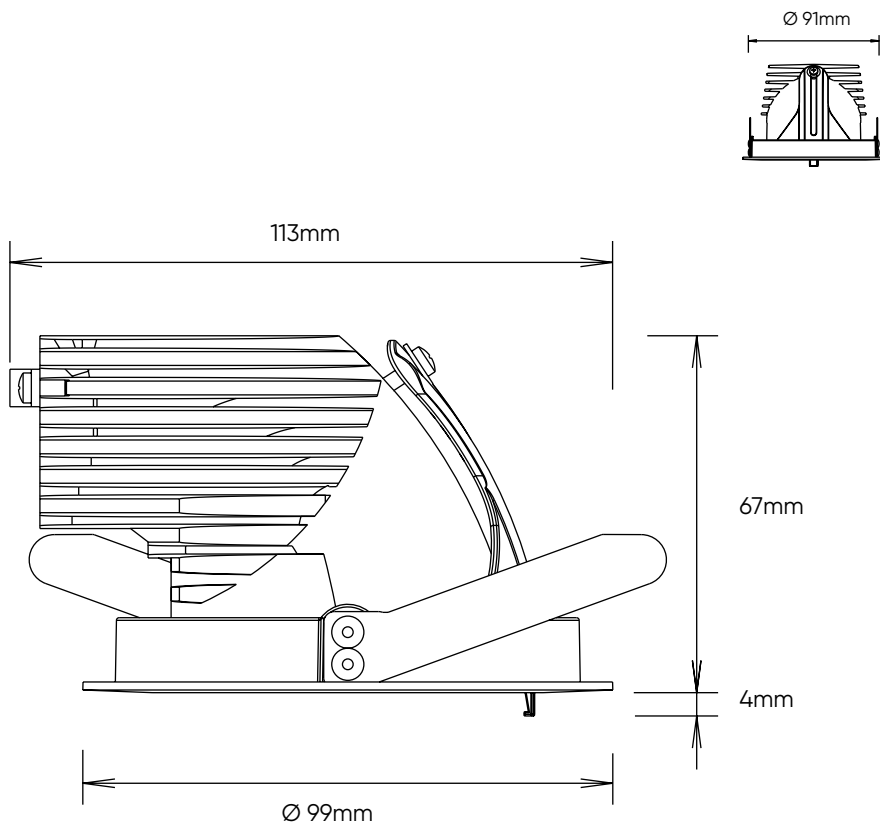
## INSTALLATION GUIDE

Everything you wanted to know but were too afraid to ask

# Kit

Your go-to downlight

### KIT STANDARD



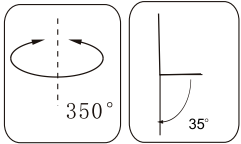
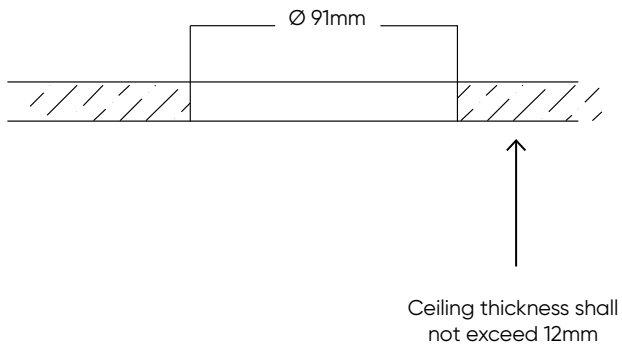
### WHOA, HOLD IT!

- 1 Hit the off switch on any power before install.
- 2 Install must only be carried out by someone suitable qualified.
- 3 Only use the product at the specified voltage and frequency.
- 4 There's no four.



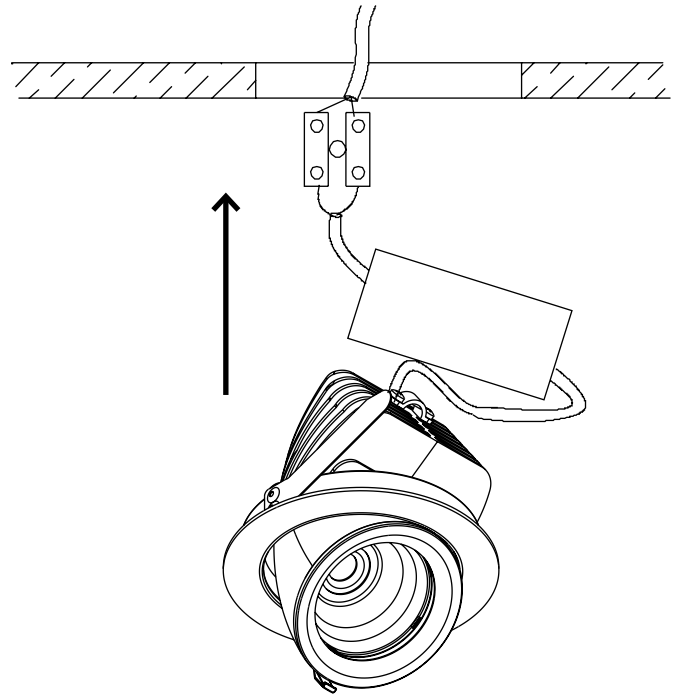
1

Make a hole,  $\varnothing$  91mm at false ceiling



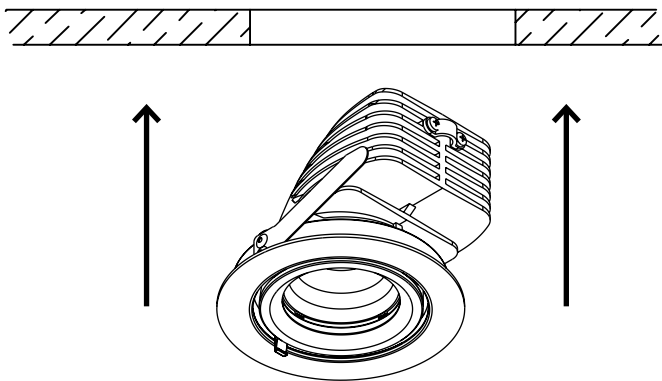
2

Position and plug LED driver in ceiling space.



3

Push the housing into the hole by compressing spring clips.



4

Release the spring clips once the fitting fits into the hole and adjust to the required angle.

