

RAGE INSTALL GUIDE



symphony
by ambience



ambiencelighting.com.au

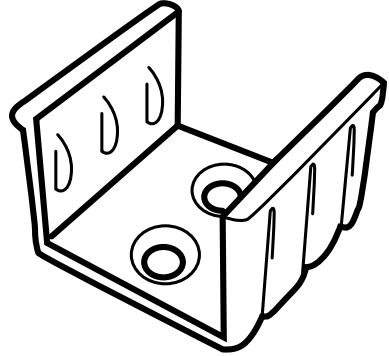
IMPORTANT

- ➔ Please install the profile on a suitable surface.
- ➔ This profile can only be surface-mounted.
- ➔ Please follow our guide, if you don't bad things could happen.
- ➔ Ambience will not be liable if instructions not followed.
- ➔ Tools and screws not included.
- ➔ Actual product may vary from the pictures.
- ➔ Pump up the volume while installing.

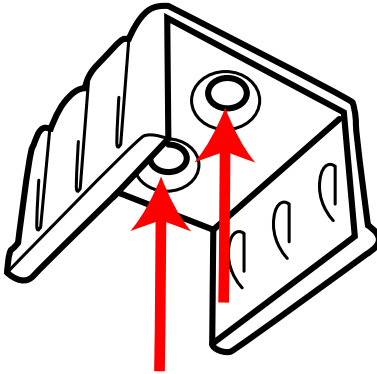
1



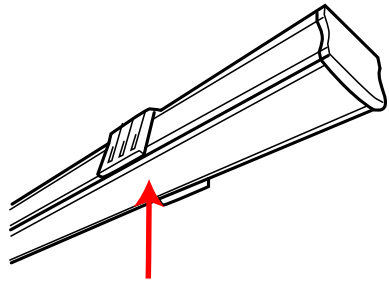
2



3



4



1

Careful to remove your facemask if wearing one.

2

Locate the mounting clips provided with the profile.

3

Mount the clips on to the surface with the help of suitable self-tapping screws as illustrate. It is recommended to use mounting clips every 750 mm.

4

Insert the profile into the mounting clip as illustrated.

