

INSTALLATION GUIDE

The A B C D E F G Major of installing symphony

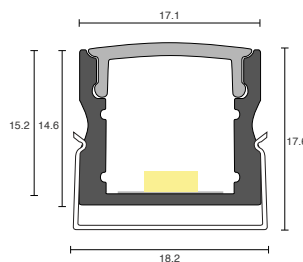


MEDLEY



RECOMMENDED REBATE SIZE FOR CONCEALED MOUNTING:

19mm (W) x 18mm (H)



IMPORTANTY STUFF

- Install the profile on a suitable surface.
- This profile is suitable for surface and concealed mounting.
- Ambience will not be liable if instructions not followed.
- Tools and screws not included.
- Actual product may vary from the pictures.
- Listen to old school hip hop when installing.

PLEASE NOTE

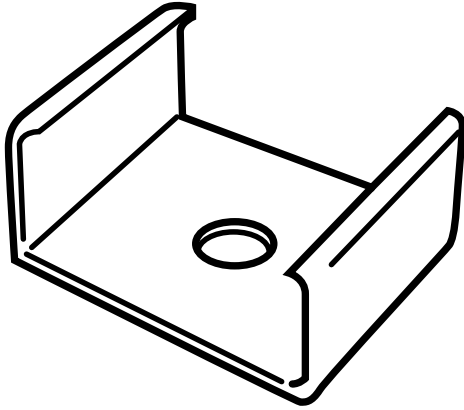
Failure to follow installation instructions may void warranty. Please refer to our standard terms and conditions and warranty details:

ambiencelighting.com.au

3
YEAR IP20 RoHS

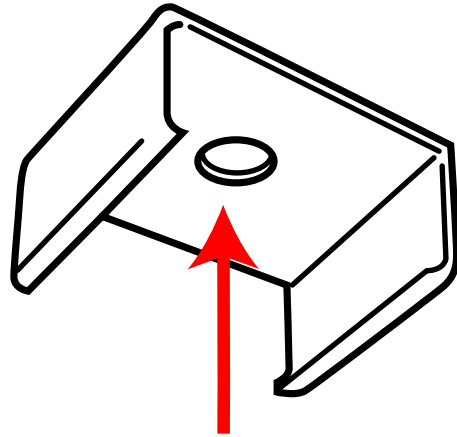
1

Locate the mounting clips provided.



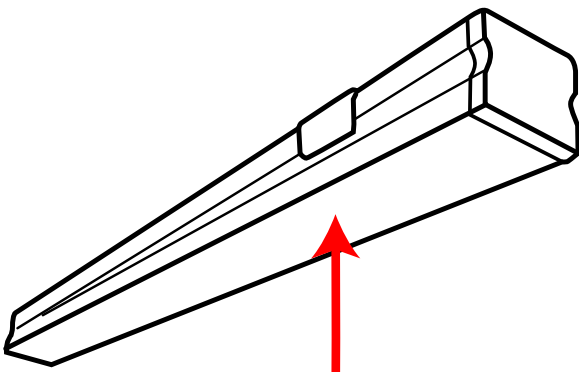
2

Mount the clips on to the surface with the help of a suitable self-tapping screw. It is recommended to use mounting clips every 750 mm.



3

Insert the profile into the mounting clip.



4

For added effect repeat steps 1-3 in a hockey mask.

