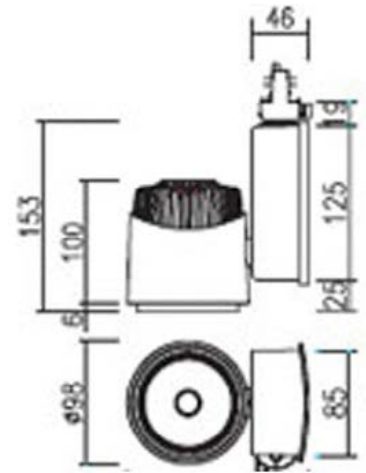


DINKIE

led track light



TECHNICAL DETAILS

Light source	LED COB
Colour temp	3 000–5 000 K
Mounting	3CT Track
Ballast	Integral
Dimensions	Head: 98 mm Ø Height: 103 mm
Overall W/H	147 mm × 153 mm
Voltage	240 V
Tilt and rotate angle	Tilt 180°, Rotate 350°
Power	20 W
CRI	80+
Lumen output	1 411 lm
Beam angle	20°, 40°
Cut out	N/A
Accessories	Surface Mount Adaptor, Hood
Mean lifespan	50 000 hrs @ 25°C
Dimming options	Phase Cut
Driver/Control manufacturer	HEP
Trim colour	Black/White/Grey
System efficacy	101 lm/w (5 000 k), 95 lm/w (4 000 k), 93 lm/w (3 000 k)
Light output ratio	Upon request